



**DULEVO**  
FAYAT GROUP



**5000**  
**VELOCE**  
Street Sweeper

# Efficiency Everywhere

The world's only mechanical suction filter sweeper capable of combining speed, manoeuvrability, economy and reliability with superior sweeping quality.



## No sweeping limit

Possibility of collecting light, heavy and even bulky material.

## 12 months of use

12 months of useAbility to sweep even without using water makes it possible to also work with low outdoor temperatures.

## High efficiency of filtration

Dust filter for constant and effective filtration in all conditions.

## Speed

can reach speeds of up to 70 km/h and is widely used by municipalities and municipalities that need to cover large distances and where transfer speed is therefore crucial.



# Reduced environmental impact

The high technology of the Dulevo 5000 veloce provides and environmentally friendly machine.

## Reduced water consumption

The mechanical suction system allows the machine to work, drastically reducing water consumption.



## Low fine dust emissions

EN15429 certified filtration system. Possibility to mount Gore filters to increase performance.



## Low engine emission

The engine complies with the most recent European emission regulations.



# Designed for People

A comfortable and pleasant sweeper to use even after many hours of work.



## Pressurisation system

The pressurisation system by means of filtered air supply maintains a clean and comfortable working environment inside the cabin.

## Extremely low noise level

The small size of the powerful suction turbines, plus its positioning and appropriate shielding, reduce the noise level of the vehicle to extremely low levels.



## Intuitive controls

with large glass surfaces and simple, intuitive controls.



# Efficiency and cost reduction

It guarantees the highest levels of performance in every context, with lower water and fuel consumption.

## Reducing downtime

The limited use of water, or the absence of its use, makes it possible to drastically reduce or even eliminate the H<sup>2</sup>O refuelling time required in conventional systems for PM 10 & 2.5 and dust abatement (double cost).

## High performance of sweeping for high productivity

Twice the sweeping speed compared to conventional technologies. Wide sweeping track.

## Savings in water consumption and fuel consumption

The use of water is limited to dust removal on the outer brushes, with the possibility of working without water.

Unmatched ratio of fuel consumption to swept area.



# DETTAGLI TECNICI



## Waste container

- The waste container is made of AISI 304 stainless steel.
- The machine is equipped with an inspection door and hydraulic door opening.
- A wireless remote control is available as an accessory to carry out operations outside the cabin.

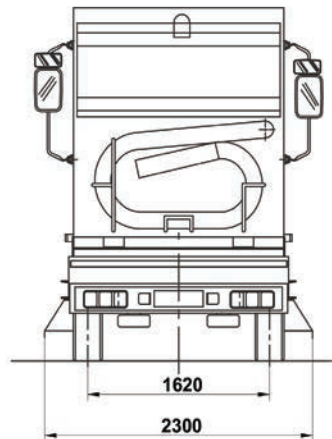
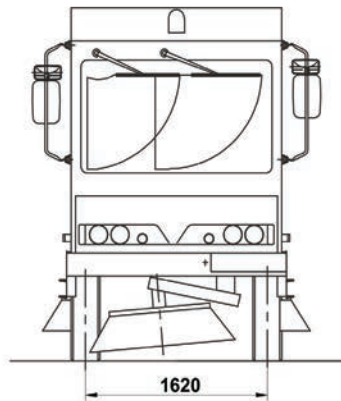
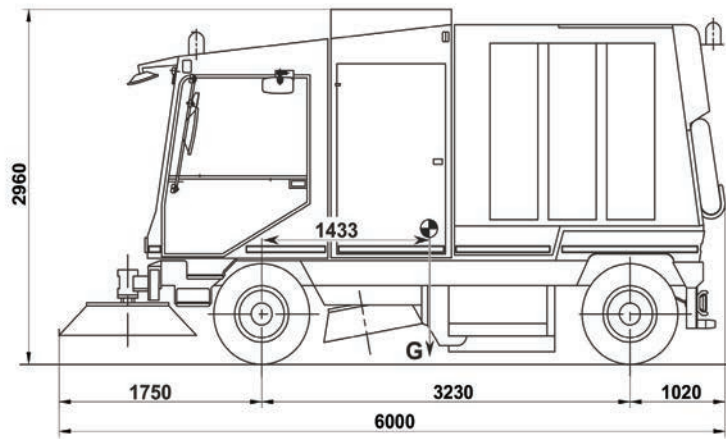
## Conveyor

- External part of the conveyor unit made of high-strength steel (Dulevo patented system).
- Conveyor equipped with a system that allows washing with a high water flow rate via hydrant connection. In this way, perfect cleaning of the belts and vanes of the material residues accumulated during sweeping is guaranteed.



## Impianto Idrico

- Powered by a stainless steel tank external to the container, with loading hose.
- Water level visible externally via indicator on the side of the tank.
- Horizontally and vertically adjustable nozzles. The nozzles are fitted with a filter to prevent blockages due to impurities in the water.



### Technical data

### 5000Veloce

Sweeping width		
- With central brush	mm	1300
- With central brush and side brushes	mm	2600
- With central, side brushes and third brush	mm	3500
Container volume	m <sup>3</sup>	5.3
Dumping height (OPT.)	mm	1150 (2400)
Seats in the cabin	n°	2
Cleaning performance	m <sup>2</sup> /h	105.000
Maximum speed	Km/h	70
Steering diameter (kerb to kerb)	mm	13400
Certification PM		PM 2,5/PM10 <sup>****</sup>
Engine Brand		FPT industrial (Iveco)
Engine Emissions		EURO 6 STEP D
Fuel		Diesel



Specifications are not binding for our company and subject to change at any time without notice



# **DULEVO**

**FAYAT GROUP**



Dulevo International S.p.A.  
Via Giovannino Guareschi, 1  
43012 Fontanellato (PR) Italia  
Tel: +39-0521-827711  
Fax: +39-0521-827795  
[www.dulevo.com](http://www.dulevo.com)