



DULEVO
FAYAT GROUP



D3
Street Sweeper



PRODUCTIVITY

Efficiency and low consumption

It guarantees the highest levels of performance in every context, with lower consumption of water and fuel.

PRODUCTIVITY

Productivity

Mechanical Suction-Filtering System

The combination of the mechanical sweeping system and sweeping by suction, supported by a real dust filter, guarantees maximum performance and maximum versatility.

Savings in water and fuel consumption

- Water is only used to cut down on dust on the external brushes.
- Possibility to work even in the absence of water and great water savings compared to conventional systems.
- Unrivaled ratio of fuel consumption to swept area.



High filtration efficiency

Dust filter for constant and effective filtration in all conditions.

High sweeping performance for high productivity

- Double sweeping speed compared to common technologies.
- Wide Sweeping width.

Reduction of downtime

The limited use of water or the absence of use, makes it possible to drastically reduce or even exclude the H₂O refueling times required in conventional systems for PM 10 & 2.5 abatement. For dust suppression (double cost).



TECHNOLOGY 4.0

Innovation and cutting-edge technology

Innovative features for intuitive and personalized use.



Technology 4.0

Can Bus

In / Out communication system of the sweeping and motor functions on CAN-BUS protocol.

User Friendly Functions

Less time needed to train the operator and the possibility to customize the way the vehicle is used.



Ready for connectivity 4.0 for Smart City

Predisposition for passive and active interface that will allow the development and future implementation in the 4.0 system.

On board diagnostics

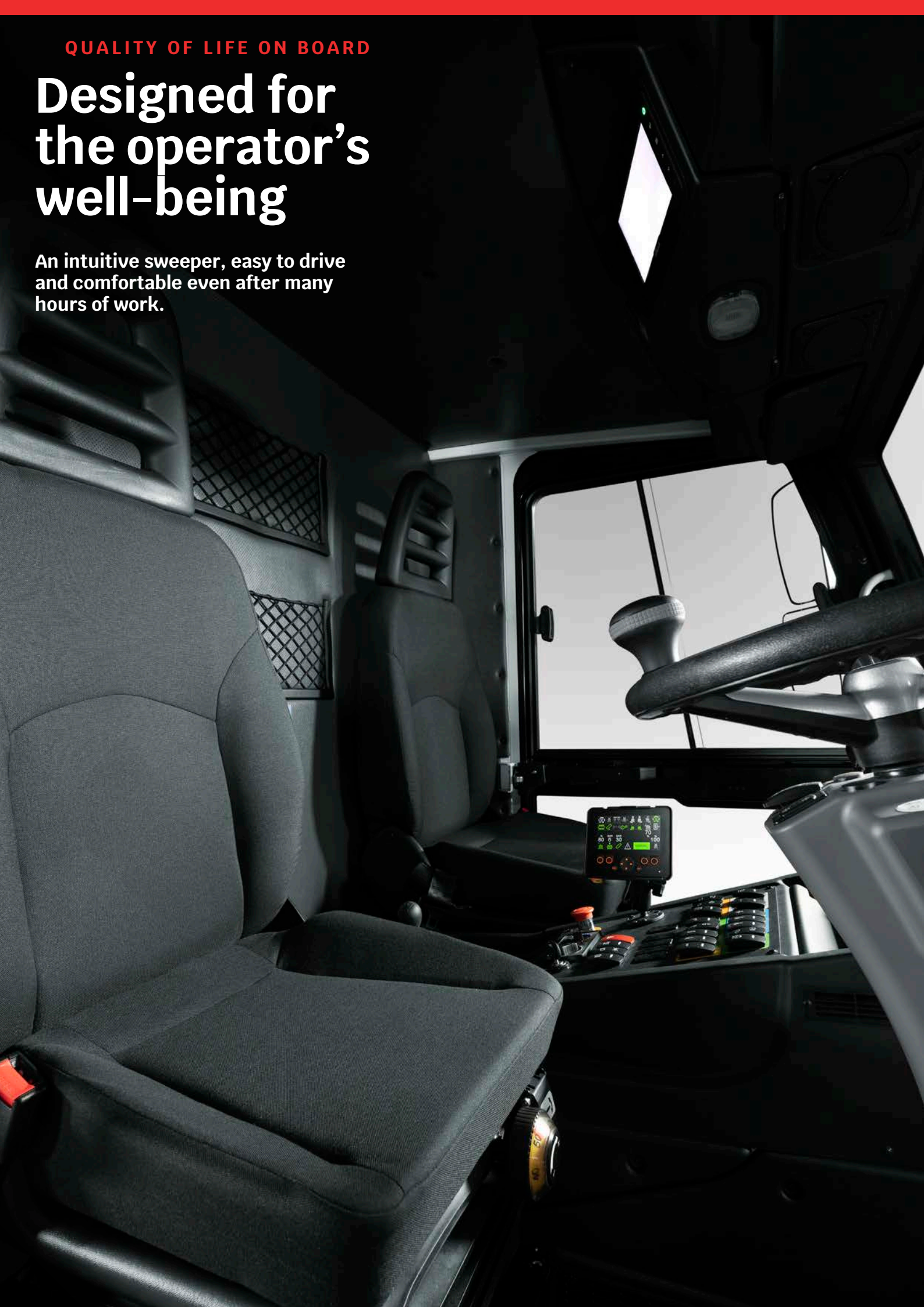
- On Board diagnostics directly from the function display.
- Dulevo Telematic remote telemetry in Standard configuration.



QUALITY OF LIFE ON BOARD

Designed for the operator's well-being

An intuitive sweeper, easy to drive
and comfortable even after many
hours of work.



Quality of Life on Board

Comfort in the cabin

- Equipped with two comfortable seats for the operator and the passenger, adjustable and amortized.
- Manual A/C system with controls positioned on the central dashboard.
- Rear security camera screen positioned in the upper part of the cabin in order to allow maximum control during the sweeping phase.

Less noise in the cabin

Noise level in the cabin Less than 66 db.



Dulevo AST system

- Easy Start function
- Possibility to select different work programs according to the sweeping conditions: ECO, Normal, Boost.

Standby function

Possibility during the work phases to exit the set work mode and resume it later by pressing the Standby key.

Sanitation

Possibility of sanitization by photocatalytic



Technical Details



Technical Details

Container

- The watertight waste container is made of AISI 304 stainless steel.
- The sweeper is equipped with an inspection hatch and hydraulic hatch opening.
- A Wireless Remote Control is available as an accessory to carry out operations outside the cabin.

Water system

- Powered by a stainless steel tank external to the container, with loading hose.
- Water level visible externally through the indicator on the side of the tank.
- Horizontally and vertically adjustable nozzles. The nozzles are equipped with a filter to avoid blockages due to impurities in the water.



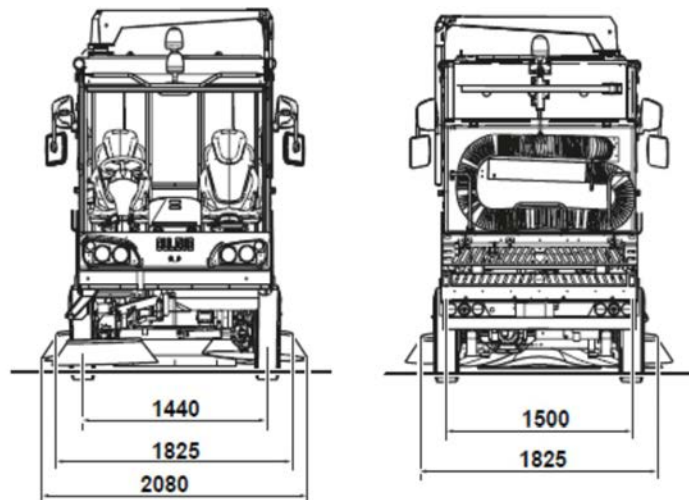
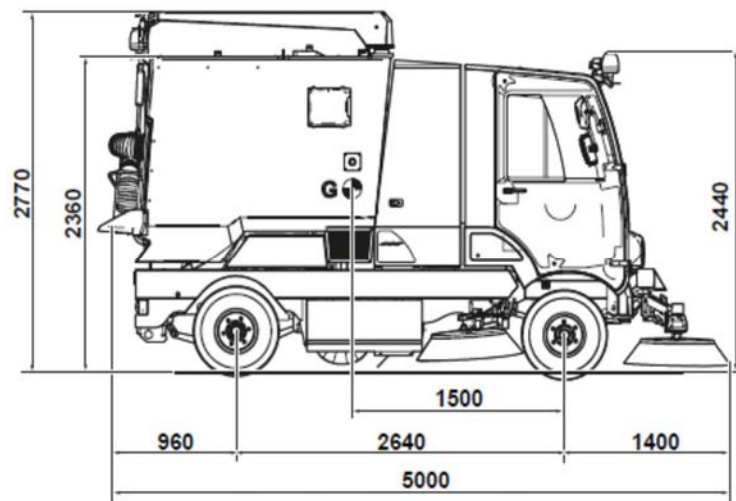
Transport

- External part of the conveyor unit in high-strength steel (system invented and patented by Dulevo).
- Conveyor equipped with a system that allows washing with a high water flow through connection to a hydrant. In this way, a perfect cleaning of the belts and vanes from material residues accumulated during sweeping is guaranteed.

Dust filter and filtration certification

- The filter cleaning, by means of a hydromechanical filter shaker, takes place directly from the cabin by means of a dedicated command.
- The D3 sweeper is certified for the retention of fine dust according to the En15429-3 standard. Possibility to mount Gore filters to increase performance.





Technical data

Sweeping width

- With central brush
- With central brush and side brushes
- With central, side brushes and third brush

Container volume

Dumping height (OPT.)

Seats in the cabin (OPT.)

Cleaning performance

Maximum speed

Steering diameter Kerb to Kerb

PM Certification

Engine Brand

- FCA Engine emissions

Engine Brand

- KOHLER Engine emissions

Engine Brand

- KOHLER Engine emissions

Fuel

D3

mm

mm

mm

m³

mm

n°

m²/h

Km/h

mm

PM 2,5/ PM10^{****}

FCA

EURO 6 C

KOHLER

Tier 3 Decontent / Stage IIIA Equivalent

KOHLER

Tier 4

Diesel

1300

2150

3200

3,3

1570 -1730

2

90.000

25 - 40

8300



I dati caratteristici sul presente catalogo non sono impegnativi da parte della società e potranno essere modificati in qualsiasi momento e senza preavviso



DULEVO
FAYAT GROUP



Dulevo International S.p.A.
Via Giovannino Guareschi, 1
43012 Fontanellato (PR) Italia
Tel: +39-0521-827711
Fax: +39-0521-827795
www.dulevo.com